

PPH-Natural

PPH-Gray

PP polypropylene is a non-toxic, odorless, tasteless, milky white high crystalline polymer, The density is only 0.91g/cm³. Polypropylene has excellent mechanical properties because of its high crystallinity and neat structure. However, at room temperature and low temperature, the impact strength is poor due to its high molecular structure regularity. The most outstanding property of polypropylene is its resistance to bending fatigue.

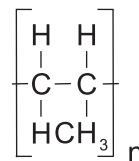
Advantages of PP-Natural

- * Good chemical properties, not water absorption
- * Does not react with most chemicals
- * Physiologically non-toxic
- * Polypropylene products have good transparency
- * Excellent insulating characteristics in connection with very good electrical values
- * Flame retarding
- * Good and easy processing
- * Good weldability
- * Good heat formability
- * PP-natural can be used in pure water systems

Disadvantage

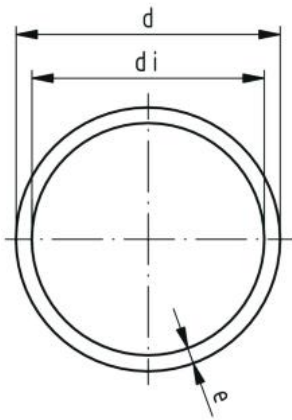
- * Poor cold resistance
- * Low temperature impact strength is not good
- * The action of light, heat and oxygen, easy to produce aging
- * PP-Natural is not UV resistant
- * Easy to burn

Chemical structure



Application

- * Semiconductor
- * Glass etching
- * Photovoltaic
- * Chemical industry
- * PCB

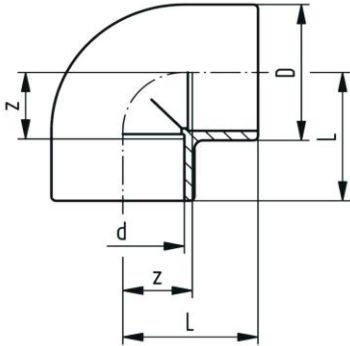


Pipe 4m PP Natural SDR11 PN10

d (mm)	PN (bar)	code	weight (kg/m)	di (mm)	e (mm)	L (mm)
20	10	000.10.020.10	0,11	16,2	1,9	4,000
25	10	000.10.025.10	0,16	20,4	2,3	4,000
32	10	000.10.032.10	0,26	26,2	2,9	4,000
40	10	000.10.040.10	0,41	32,6	3,7	4,000
50	10	000.10.050.10	0,64	40,8	4,6	4,000
63	10	000.10.063.10	1,01	51,4	5,8	4,000
75	10	000.10.075.10	1,40	61,4	6,8	4,000
90	10	000.10.090.10	2,02	73,0	8,2	4,000
110	10	000.10.110.10	3,01	90,0	10,0	4,000

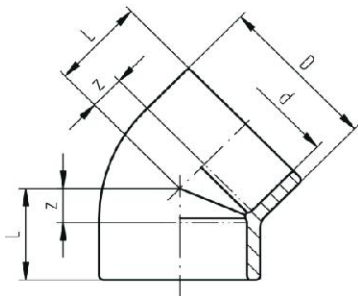
Pipe 4m PP Natural SDR17 PN6

d (mm)	PN (bar)	code	weight (kg/m)	di (mm)	e (mm)	L (mm)
63	6	000.11.063.06	0,66	55,8	3,6	4,000
75	6	000.11.075.06	0,93	66,4	4,3	4,000
90	6	000.11.090.06	1,32	79,8	5,1	4,000
110	6	000.11.110.06	1,98	97,4	6,3	4,000



Elbow 90° Socket-end PP Natural PN10

d (mm)	PN (bar)	code	weight (kg)	D (mm)	L (mm)	z (mm)
20	10	010.10.020.10	0,02	29	31,0	15
25	10	010.10.025.10	0,03	35	33,0	15
32	10	010.10.032.10	0,05	43	40,5	21
40	10	010.10.040.10	0,08	52	46,5	25
50	10	010.10.050.10	0,14	64	54,5	30
63	10	010.10.063.10	0,25	81	63,0	35
75	10	010.10.075.10	0,32	92	71,5	39
90	10	010.10.090.10	0,58	113	86,0	50
110	10	010.10.110.10	0,84	133	100,5	59

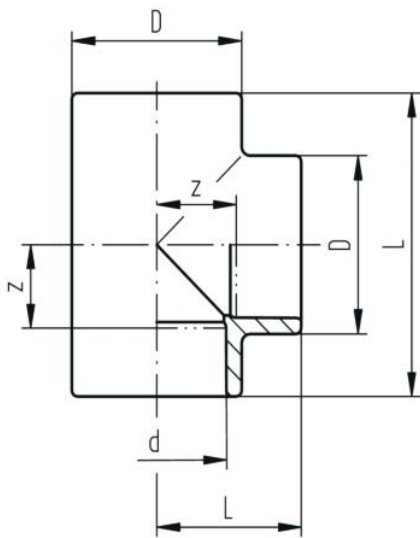


Elbow 45° Socket-end PP Natural PN10

d (mm)	PN (bar)	code	weight (kg)	D (mm)	L (mm)	z (mm)
20	10	010.11.020.10	0,02	30	21,0	5
25	10	010.11.025.10	0,03	35	24,0	6
32	10	010.11.032.10	0,04	43	26,0	7
40	10	010.11.040.10	0,07	52	30,5	9
50	10	010.11.050.10	0,10	64	35,0	11
63	10	010.11.063.10	0,18	81	45,0	16
75	10	010.11.075.10	0,24	92	48,0	16
90	10	010.11.090.10	0,44	113	55,5	19
110	10	010.11.110.10	0,67	133	68,5	27



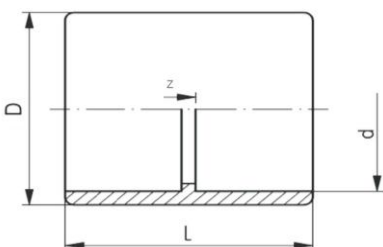
Tee Socket-end PP Natural PN10



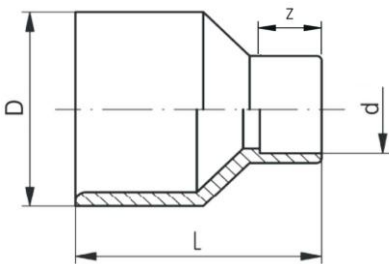
d (mm)	PN (bar)	code	weight (kg)	D (mm)	L (mm)	z (mm)
20	10	020.10.020.10	0,03	29	60	14,5
25	10	020.10.025.10	0,04	35	68	16,5
32	10	020.10.032.10	0,07	43	80	20,5
40	10	020.10.040.10	0,10	52	94	25,5
50	10	020.10.050.10	0,18	64	108	30,0
63	10	020.10.063.10	0,30	81	125	35,5
75	10	020.10.075.10	0,44	92	153	42,5
90	10	020.10.090.10	0,81	113	183	53,5
110	10	020.10.110.10	1,10	133	208	61,5



Socket Adaptor PP Natural PN10

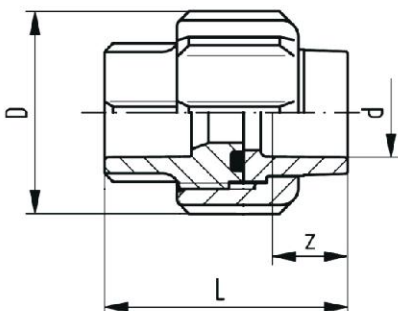


d (mm)	PN (bar)	code	weight (kg)	D (mm)	L (mm)	z (mm)
20	10	030.10.020.10	0,01	29	35	4
25	10	030.10.025.10	0,02	35	39	4
32	10	030.10.032.10	0,03	43	43	4
40	10	030.10.040.10	0,04	52	47	5
50	10	030.10.050.10	0,06	64	52	6
63	10	030.10.063.10	0,11	81	60	4
75	10	030.10.075.10	0,16	92	70	5
90	10	030.10.090.10	0,30	113	78	5
110	10	030.10.110.10	0,41	133	90	5



Reducer concentric Socket-end PP Natural PN10

d (mm)	PN (bar)	code	weight (kg)	D (mm)	L (mm)	z (mm)
25/20	10	030.11.2520.0	0,01	29	40	15,5
32/20	10	030.11.3220.0	0,02	43	44	15,5
32/25	10	030.11.3225.0	0,02	43	44	17,5
40/20	10	030.11.4020.0	0,02	52	49	15,5
40/25	10	030.11.4025.0	0,02	52	49	17,5
40/32	10	030.11.4032.0	0,03	52	49	20,2
50/20	10	030.11.5020.0	0,03	64	55	15,5
50/25	10	030.11.5025.0	0,04	64	55	17,5
50/32	10	030.11.5032.0	0,04	64	55	20,2
50/40	10	030.11.5040.0	0,05	64	55	25,0
63/25	10	030.11.6325.0	0,06	81	64	17,5
63/32	10	030.11.6332.0	0,06	81	64	20,2
63/40	10	030.11.6340.0	0,07	81	64	20,5
63/50	10	030.11.6350.0	0,07	81	64	24,6
75/50	10	030.11.7550.0	0,11	92	64	24,6
75/63	10	030.11.7563.0	0,11	92	64	29,0
90/63	10	030.11.9063.0	0,19	113	87	29,0
90/75	10	030.11.9075.0	0,19	113	87	33,0
110/63	10	030.11.1163.0	0,25	133	87	29,0
110/90	10	030.11.1190.0	0,29	133	87	35,5

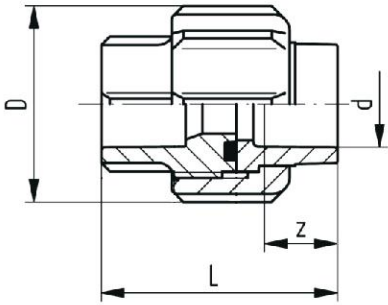


Union Socket-end PP Natural-EPDM PN10

d (mm)	PN (bar)	code	weight (kg)	D (mm)	L (mm)	z (mm)
20	16	040.10.020.10	0,04	47	45	16
25	16	040.10.025.10	0,06	57	49	18
32	16	040.10.032.10	0,08	64	53	20
40	16	040.10.040.10	0,13	78	59	22
50	16	040.10.050.10	0,18	89	67	24
63	16	040.10.063.10	0,31	109	79	29



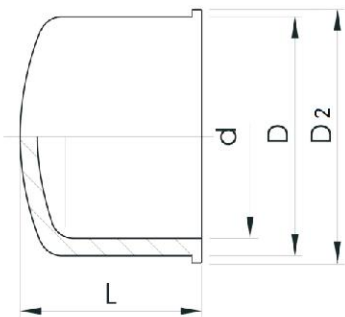
Union Socket-end PP Natural-FPM PN10



d (mm)	PN (bar)	code	weight (kg)	D (mm)	L (mm)	z (mm)
20	10	040.11.020.10	0,04	47	45	16
25	10	040.11.025.10	0,06	57	49	18
32	10	040.11.032.10	0,08	64	53	20
40	10	040.11.040.10	0,13	78	59	22
50	10	040.11.050.10	0,18	89	67	24
63	10	040.11.063.10	0,31	109	79	29



End Cap Socket-end PP Natural PN10



d (mm)	PN (bar)	code	weight (kg)	D (mm)	L (mm)	D2 (mm)
20	10	060.10.020.10	0,01	29	27	32
25	10	060.10.025.10	0,01	35	30	37
32	10	060.10.032.10	0,02	43	35	46
40	10	060.10.040.10	0,04	52	39	57
50	10	060.10.050.10	0,07	64	49	69
63	10	060.10.063.10	0,13	81	59	86
75	10	060.10.075.10	0,16	92	66	97
90	10	060.10.090.10	0,28	113	77	119
110	10	060.10.110.10	0,42	133	92	139



**contact**
customer center
www.koscn.cn

KOSCN